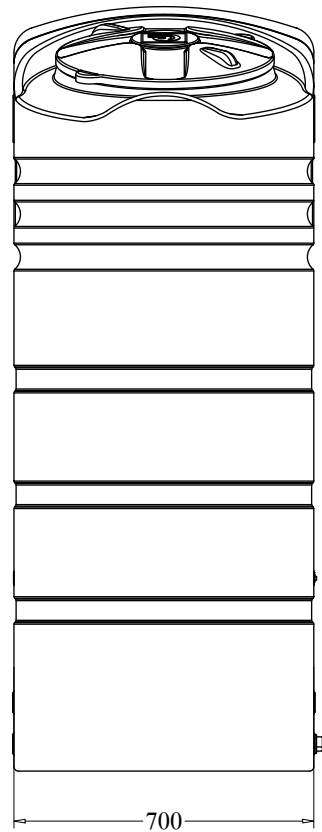
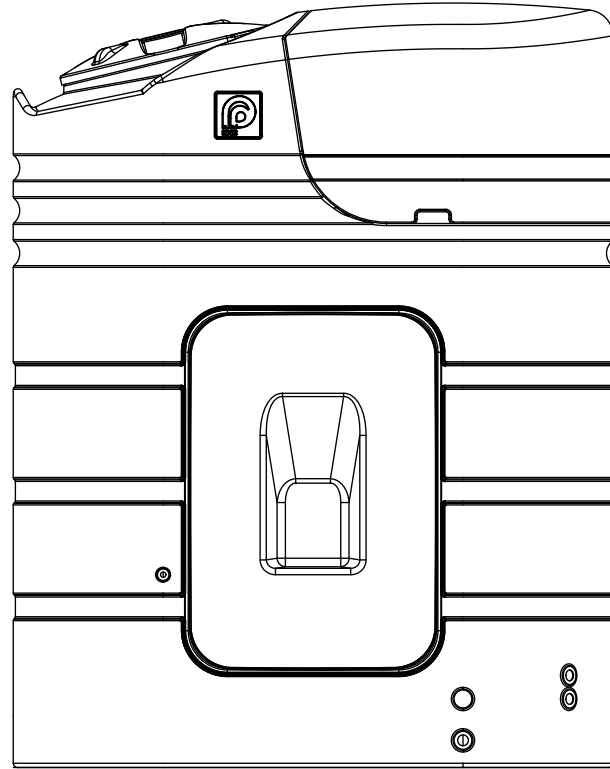


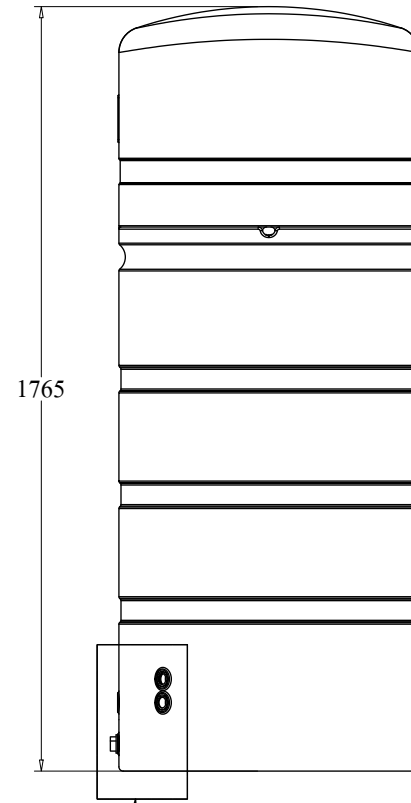
**TOP VIEW**  
SCALE 1 : 20



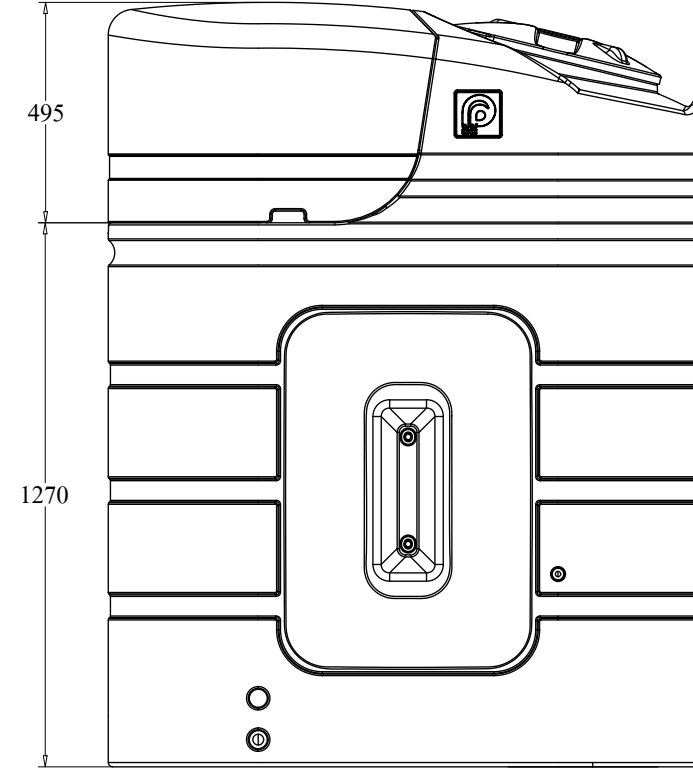
**LEFT SIDE**  
SCALE 1 : 20



**FRONT VIEW**  
SCALE 1 : 20



**RIGHT SIDE**  
SCALE 1 : 20



**BACK VIEW**  
SCALE 1 : 20

CONSULTING ENGINEER

PROJECT TITLE

OWNER ADDRESS

SIGNATURE

MODEL Smartpak Pro-1000\_R

DRAWING TITLE INSTALLATION DRAWING  
PLAN & SECTION

SCALE SHEET No./TOTAL

DRAWING CODE Smartpak Pro-1000\_R.dwg

ENGINEER

DESIGNED

DRAWN S.SAHARAT 21/11/2022

APPROVED U. PHICHAYASAK

PRODUCT NAME



OFFICE : 2 Premier Place, Soi Premier 2,  
Srinakarin Rd., Nongbon, Prawet, Bangkok 10250, Thailand  
Tel : 02301-2100-1 Fax : 0-2301-2141  
FACTORY: 454 Moo 9 Kabinburi Industrial Zone,  
Km 12 Kabinburi-Korat-Highway Tombon Nonggee  
Umper Kabinburi 25110 Thailand  
Tel : (037) 204396-406 Fax : (037) 204407

DRAWING HISTORY