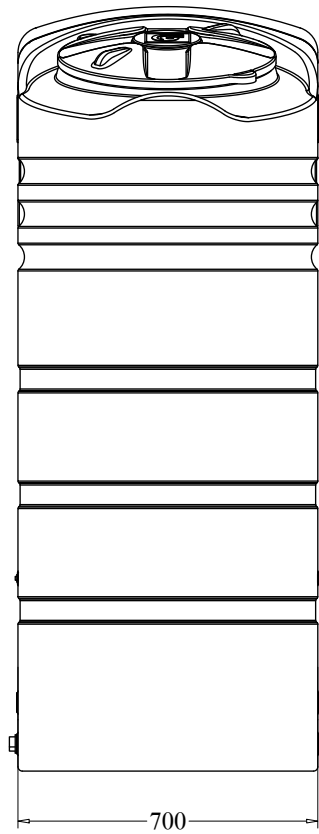
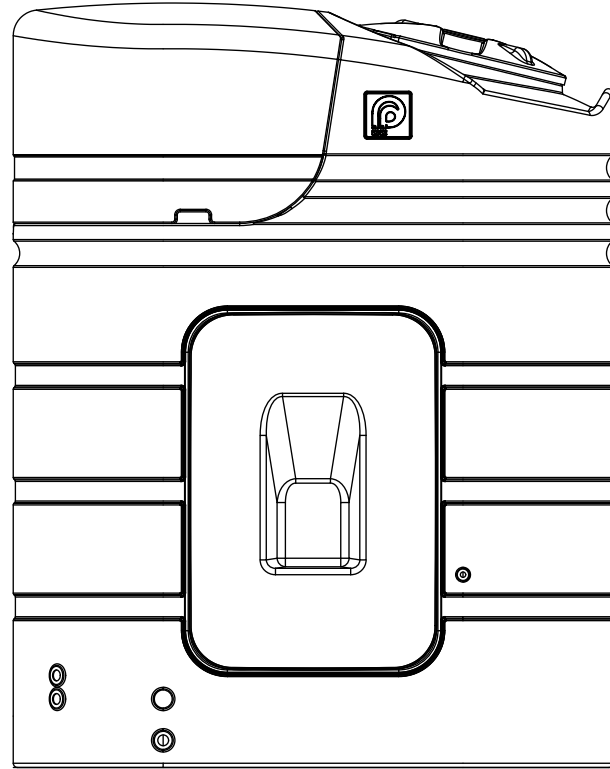


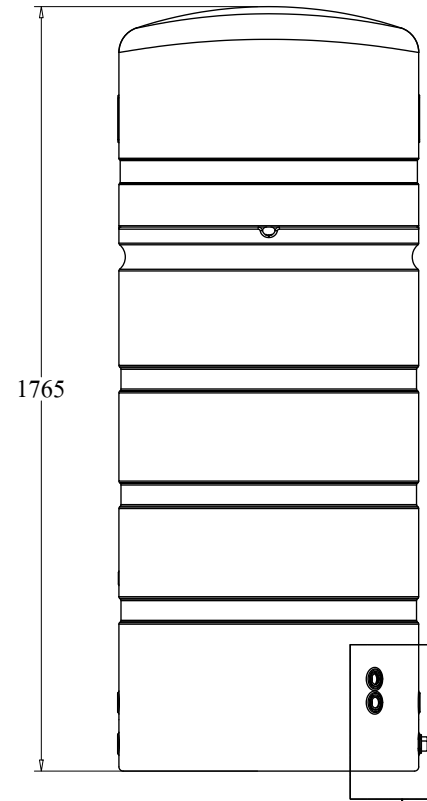
TOP VIEW
SCALE 1 : 20



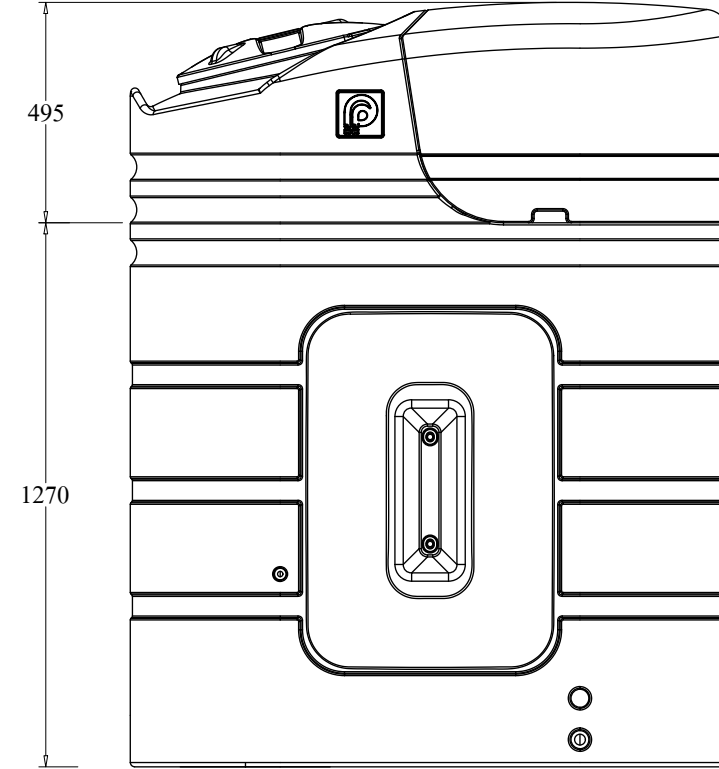
LEFT SIDE
SCALE 1 : 20



FRONT VIEW
SCALE 1 : 20



RIGHT SIDE
SCALE 1 : 20



BACK VIEW
SCALE 1 : 20

Fitting

CONSULTING ENGINEER	
PROJECT TITLE	
OWNER ADDRESS	
SIGNATURE	
MODEL	Smartpak Pro-1000_L
DRAWING TITLE	INSTALLATION DRAWING PLAN & SECTION
SCALE	SHEET No./TOTAL
DRAWING CODE	Smartpak Pro-1000_L.dwg
ENGINEER	
DESIGNED	
DRAWN	S.SAHARAT 21/11/2022
APPROVED	U. PHICHAYASAK
PRODUCT NAME	



บริษัท พรีเมียร์ โปรดักส์ จำกัด (มหาชน)
PREMIER PRODUCTS PUBLIC COMPANY LIMITED

OFFICE : 2 Premier Place, Soi Premier 2,
Srinakarin Rd., Nongbon, Prawet, Bangkok 10250, Thailand
Tel : 02301-2100-1 Fax : 0-2301-2141
FACTORY: 454 Moo 9 Kabinburi Industrial Zone,
Km 12 Kabinburi-Korat-Highway Tombon Nonggee
Umper Kabinburi 25110 Thailand
Tel : (037) 204396-406 Fax : (037) 204407

DRAWING HISTORY
